

Picture is for reference only

# The Tower 500

User's Manual  
Benutzerhandbuch  
Mode d'emploi  
Manual del usuario  
Manuale dell'utente  
Manual do Utilizador

安裝說明書  
用戶手冊  
ユーザーズマニュアル  
Руководство пользователя  
kullanıcı elkitabı  
(EEE Yönetmeliğine Uygundur)  
คู่มือการใส่



© 2022 Thermaltake Technology Co., Ltd. All Rights Reserved. 2022.04  
All other registered trademarks belong to their respective companies. [www.thermaltake.com](http://www.thermaltake.com)



## TT Premium



### TT Premium

To continue achieving the corporate mission of delivering the perfect user experience, Thermaltake developed "TT Premium" with the essence of combining supreme quality products with a new logo design. TT Premium is far more than just a guarantee of quality. Behind the name, it represents the passion in DIY, Modding and Thermaltake's desire to be the most innovative brand in the PC hardware market. To satisfy the demand of the high-end PC users, TT Premium follows its core values of Excellent Quality, Unique Design, Diverse Combinations and Boundless Creativity to provide a high performance PC product for every enthusiast. <http://tppremium.com>

## Tt LCS-Liquid Cooling Support Certification



Tt LCS Certified is a Thermaltake exclusive certification applied to only products that pass the design and hardcore enthusiasts standards that a true LCS chassis should be held to. The Tt LCS certification was created so that we at Thermaltake can designate to all power users which chassis have been tested to be best compatible with extreme liquid cooling configurations to ensure you get the best performance from the best features and fitment.

## Join Tt Community To Receive Benefits



Dear Valued Customer,

Thank you for choosing Thermaltake.

As a new user we value your thoughts and opinions and your feedback is important to us. We at Thermaltake would like to use this opportunity to invite you to join our Community Forums. Register today to start enjoying the full benefits of our community.

Benefits of being a member:

- Quick and responsive user support
- Receive help and advice with new builds
- Keep up to date with new product releases
- Share your thoughts and builds with the community
- Enter monthly contests and giveaways



**Brand official website**  
<http://www.thermaltake.com/>

**Global Facebook**  
<https://www.facebook.com/ThermaltakeInc>

**Taiwan Facebook**  
<http://www.facebook.com/ThermaltakeTW>

**Global community forums**  
<http://community.thermaltake.com>

# CONTENTS








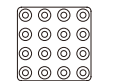


## Chapter 1. Product Introduction

1.0	Specification .....	01
1.1	Accessory .....	02
1.2	Warning and Notice .....	03

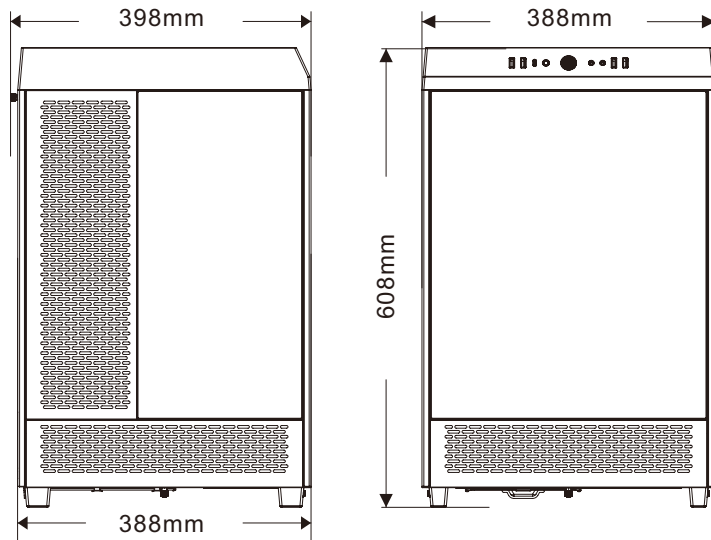
## Chapter 2. Installation Guide

2.0	Remove Components .....	06
2.1	Power Supply Unit (PSU) Installation .....	07
2.2	Motherboard Installation .....	08
2.3	PCI Card Installation .....	09
2.4	HDD Installation .....	10
2.5	Air Cooling Installation .....	13
2.6	Liquid Cooling Installation .....	14
2.7	AIO Bracket Installation .....	15
2.8	Pump Installation .....	17
2.9	Remove Filters .....	18
2.10	I/O Connection .....	19

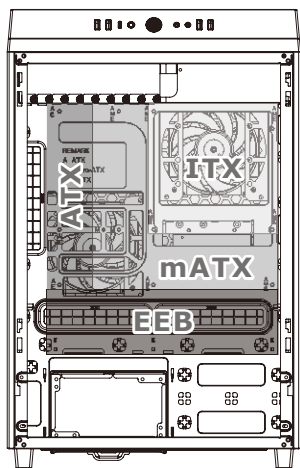
Case Type	Mid Tower		
Dimension (H*W*D)	608 x 388 x 398 mm (23.9 x 15.3 x 15.7 inch)		
Side Panel	Tempered Glass x 3		
Material	SPCC		
Cooling System	Rear (exhaust): 120 x 120 x 25 mm Standard fan (1500 rpm, 35.8 dBA) x 2		
Drive Bays	4 x 3.5", 8 x 2.5" or 8 x 3.5"		
Expansion Slots	9		
Motherboards	6.7" x 6.7" (Mini ITX), 9.6" x 9.6" (Micro ATX), 12" x 9.6" (ATX), 10.5" x 12" (CEB), 13" x 12" (EEB)		
I/O Port	USB 3.2 (Gen 2) Type-C x 1, USB 3.0 x 4, HD Audio x 1		
PSU	Standard PS2 PSU (optional)		
Fan Support	Top	2 x 120 mm, 1 x 120 mm	2 x 140 mm, 1 x 140 mm
	Side	3 x 120 mm, 2 x 120 mm, 1 x 120 mm	
	Rear	2 x 120 mm, 1 x 120 mm	2 x 140 mm, 1 x 140 mm
	Power Cover	2 x 120 mm, 1 x 120 mm	2 x 140 mm, 1 x 140 mm
	Bottom (Vertical / Horizontal)	2 x 120 mm, 1 x 120 mm	
Radiator Support	Top	1 x 240 mm, 1 x 120 mm	1 x 280 mm, 1 x 140 mm
	Side (AIO Only)	1 x 360 mm, 1 x 240 mm, 1 x 120 mm (Max length limitation: 399 mm)	
	Bottom (Vertical / Horizontal)	1 x 240 mm, 1 x 120 mm	
Clearances	CPU cooler height limitation	275 mm	
	VGA length limitation	325 mm (With power cover) 355 mm (Without power cover)	
	PSU length limitation	200 mm	

Figure	Part Name	Q'ty	Used For
	Screw #6-32 x 6.0 mm	4	Power Supply
	Buzzer	1	Motherboard Alarm
	Screw M3 x 6 mm	45	Motherboard 2.5" HDD / SSD
	Stand-off #6-32 x 6.5 mm	3	Motherboard
	NutSetter	1	Motherboard Stand-off Installation
	Screw #6-32 x 6.0 mm	35	3.5" HDD AIO 360 Bracket
	3.5" HDD Rubber	12	3.5" HDD
	2.5" HDD Rubber Pad	16	2.5" HDD SSD
	Cable Ties	20	Cable Management
	AIO Bracket	2	Fan / Radiator

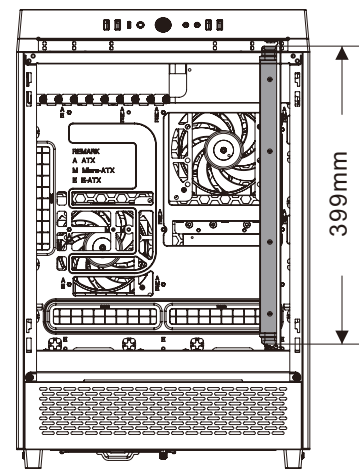
Chassis dimension



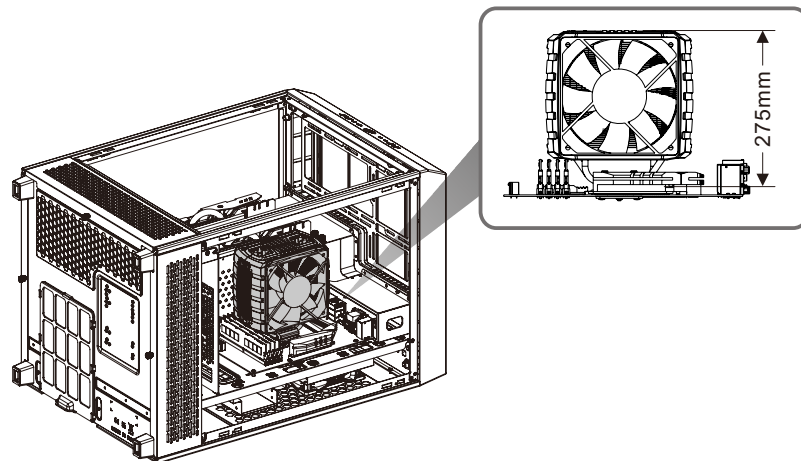
Motherboard Compatibility:  
ITX / mATX / ATX / CEB / EEB (Without Power Cover)



Radiator length max length: 399mm

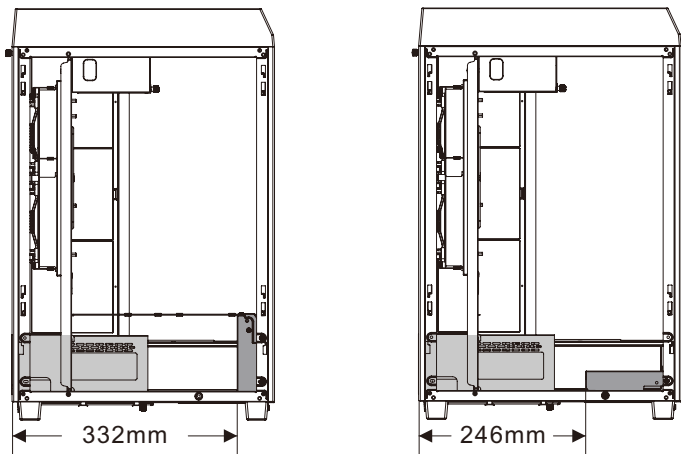


CPU cooler max height: 275mm



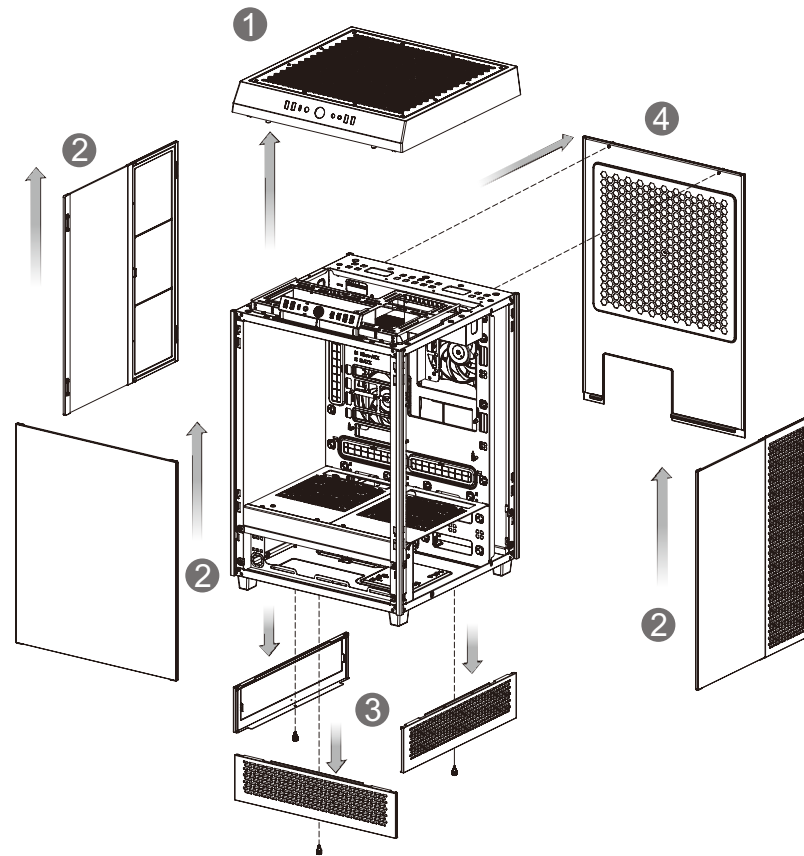
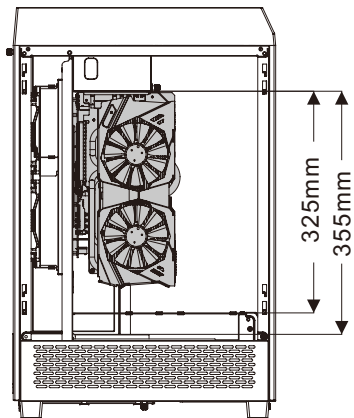


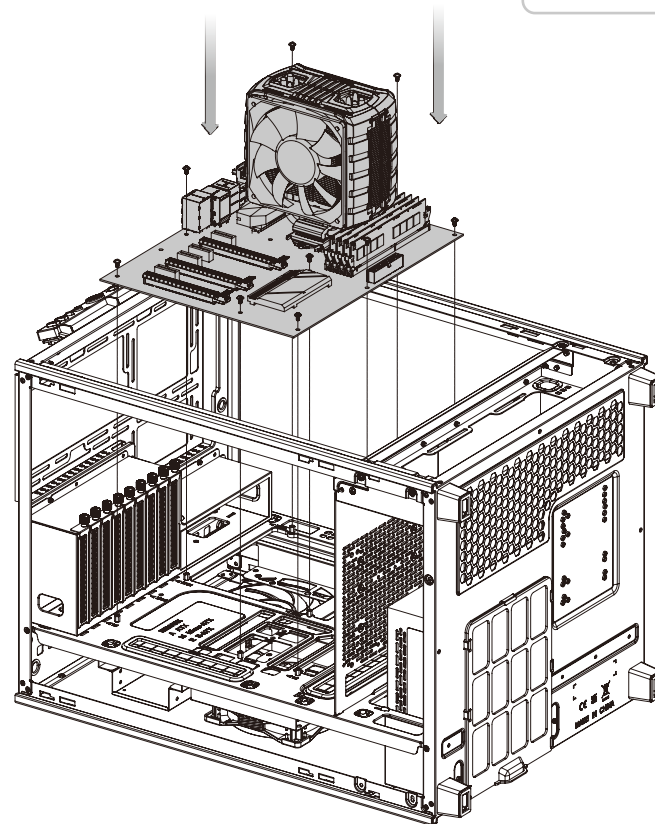
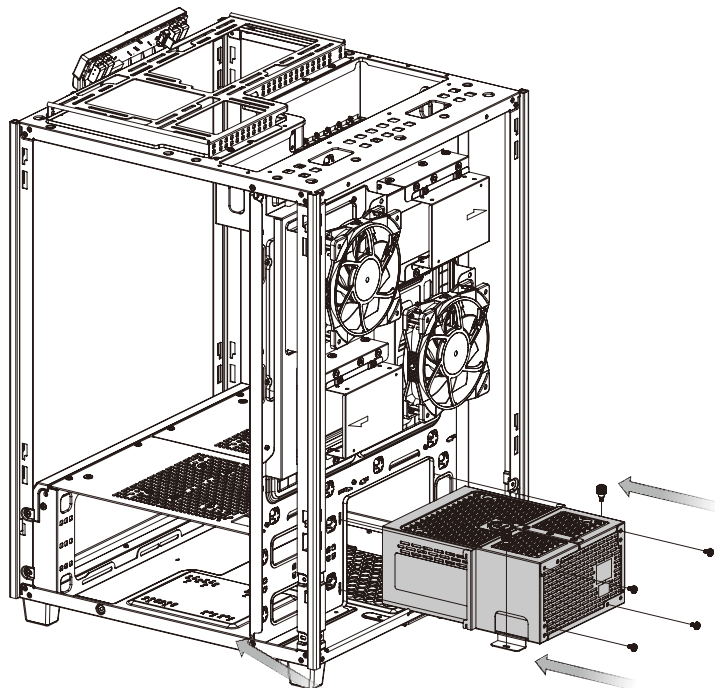
PSU length max length: 300 mm

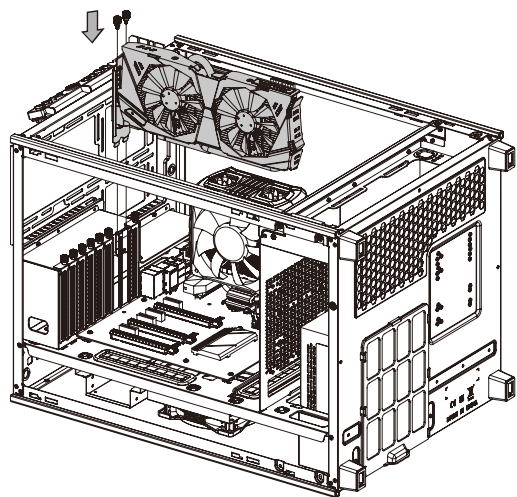
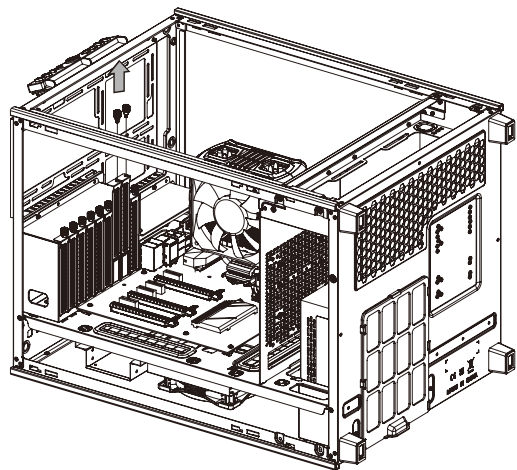


**Vertical Fan Bracket    Horizontal Fan Bracket**

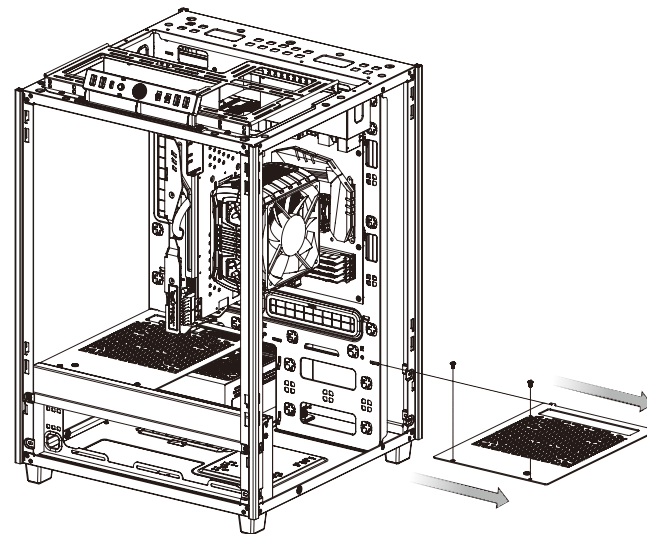
VGA length max length: 355 mm (Without Power Cover)



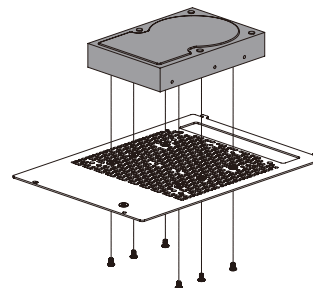




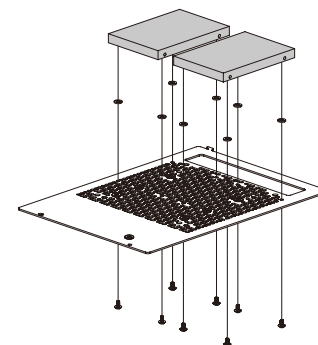
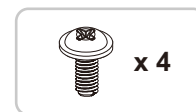
1 Front PSU Cover



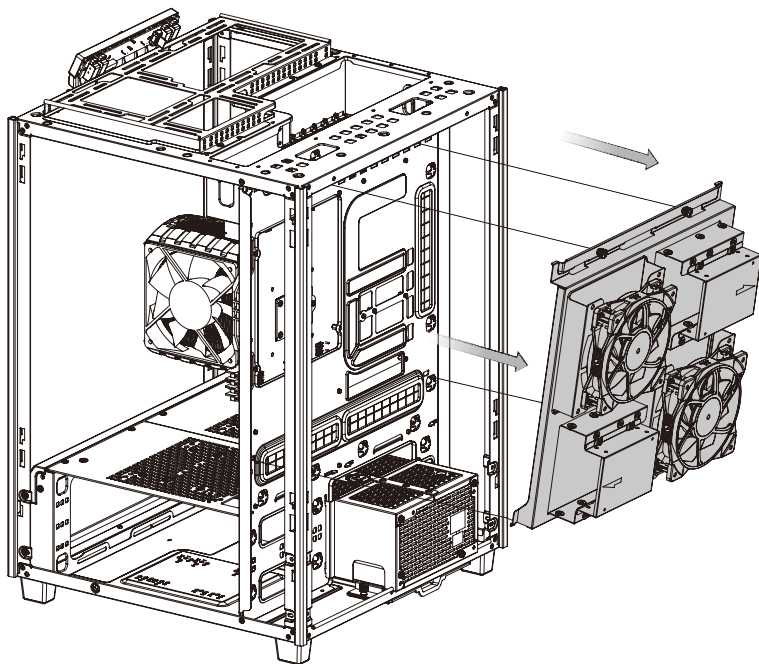
3.5" HDD x 1



2.5" HDD x 2

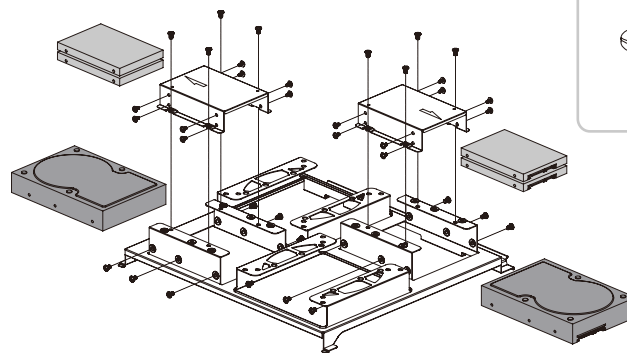


2 Rear Fan Bracket



Type A:

3.5" HDD x 2 + 2.5" x 4



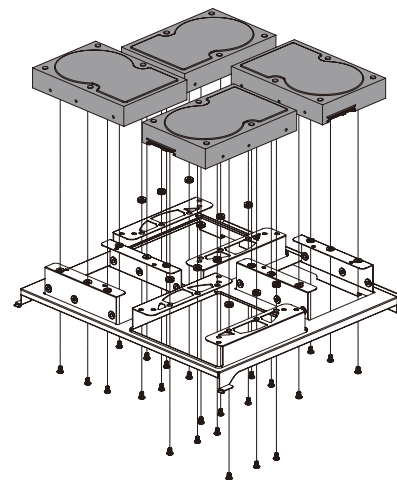
x 4



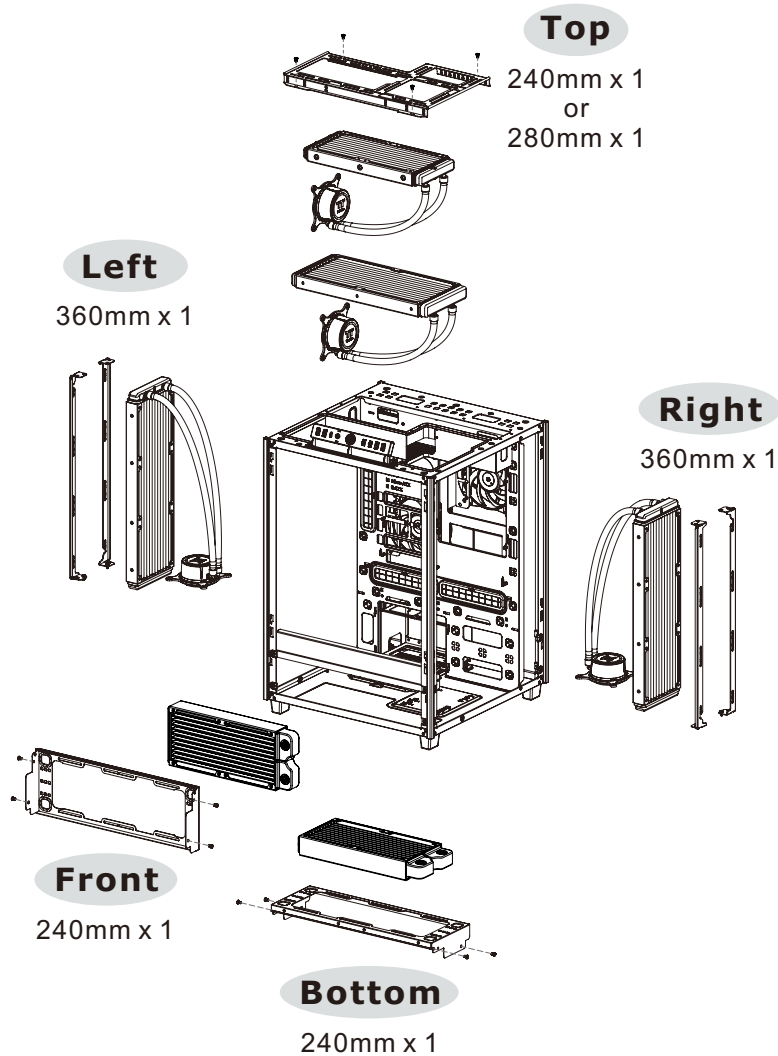
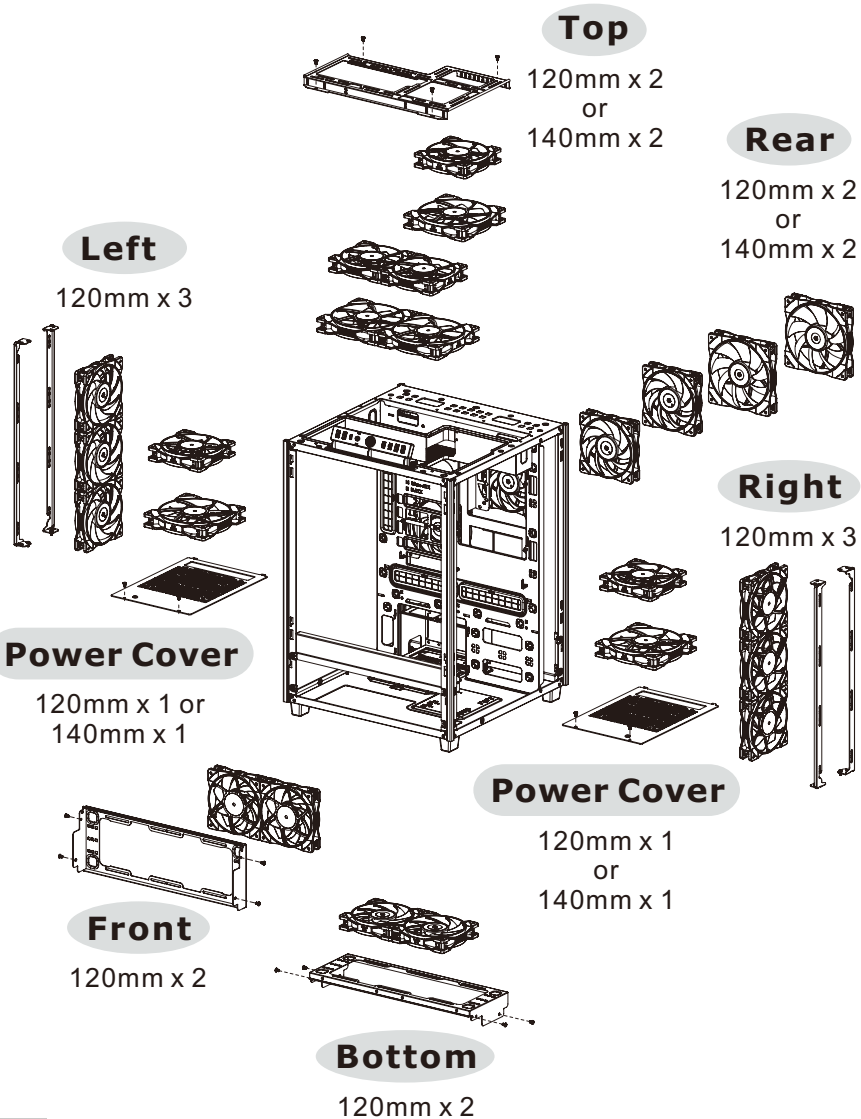
x 4

Type B:

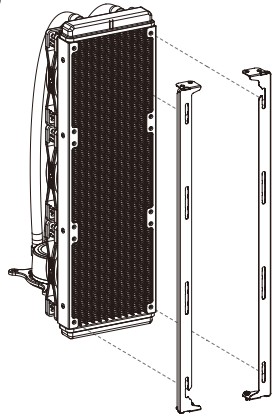
3.5" HDD x 4



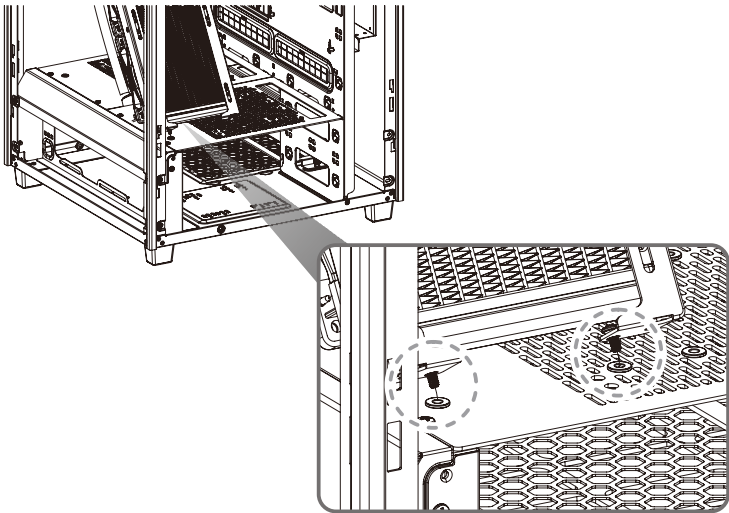
x 4



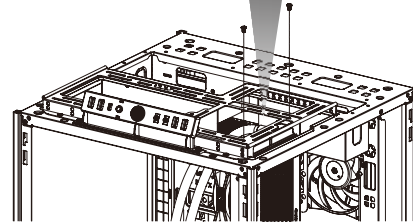
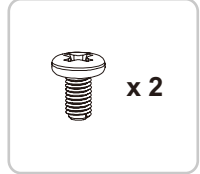
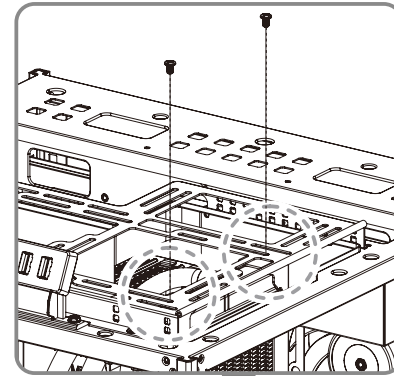
1



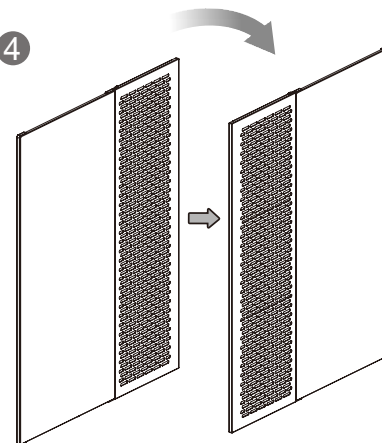
2



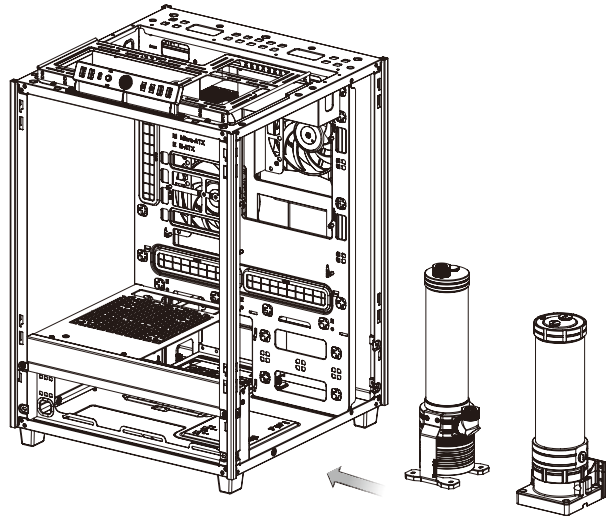
3



4

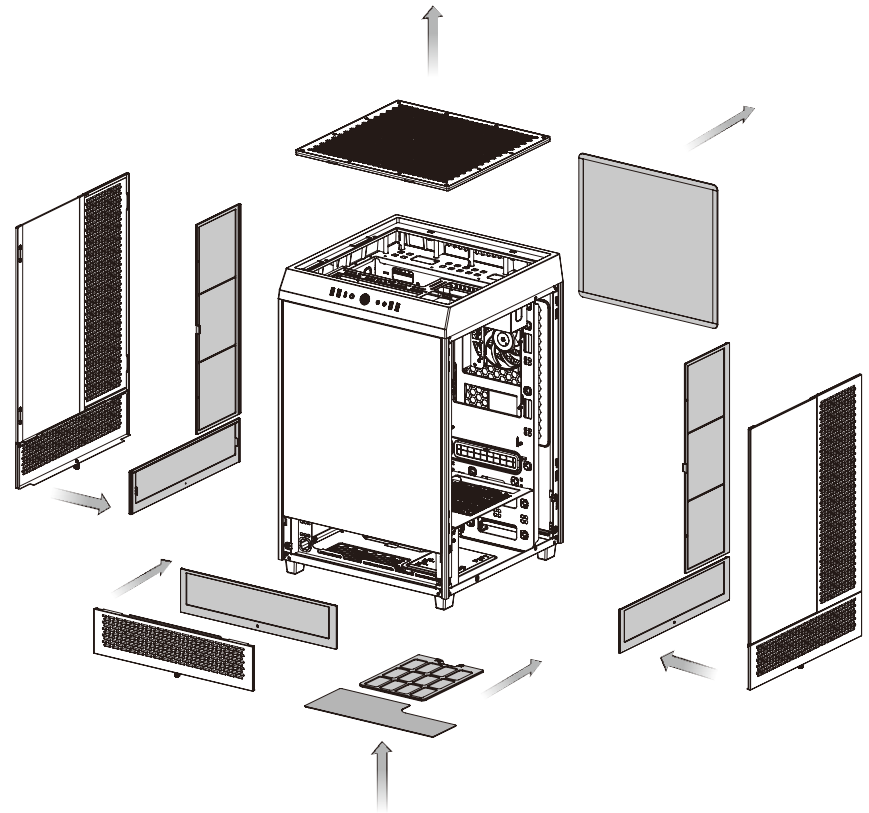
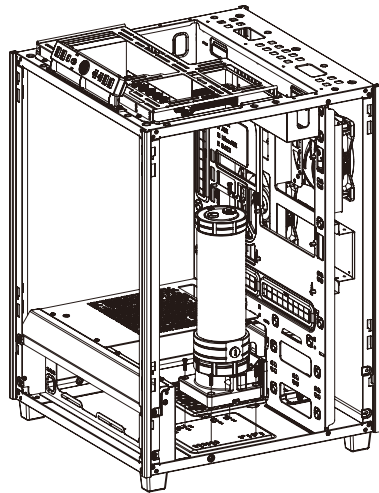
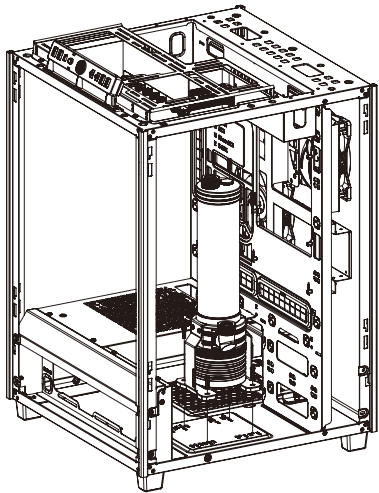


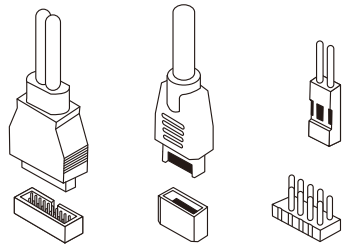




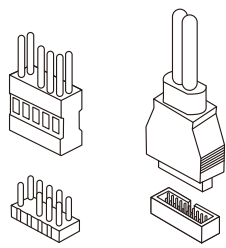
1 Pacific PR22-D5 Plus

2 Pacific PR32-D5

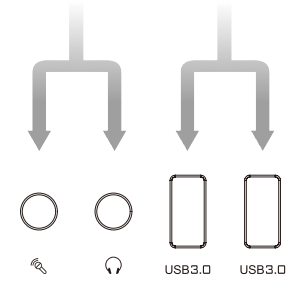
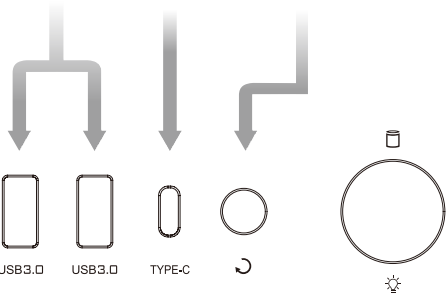




USB 3.0 TYPE-C RESET



HD Audio USB 3.0



Power SW / Power LED / HDD LED

